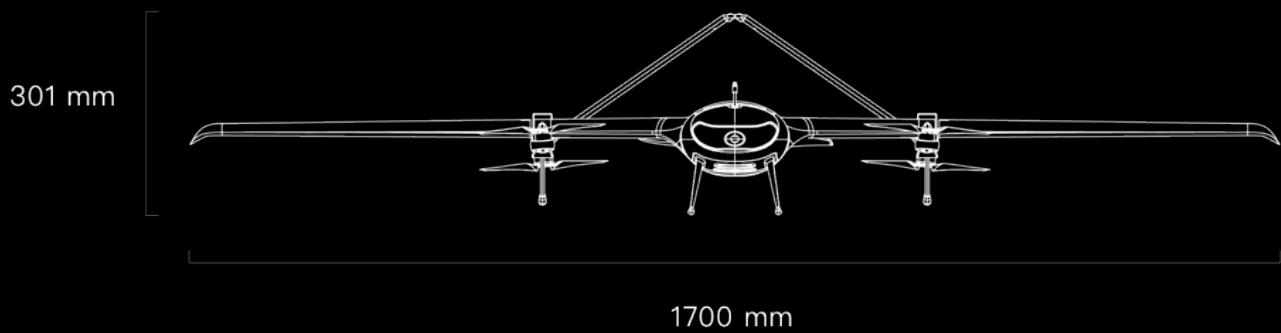
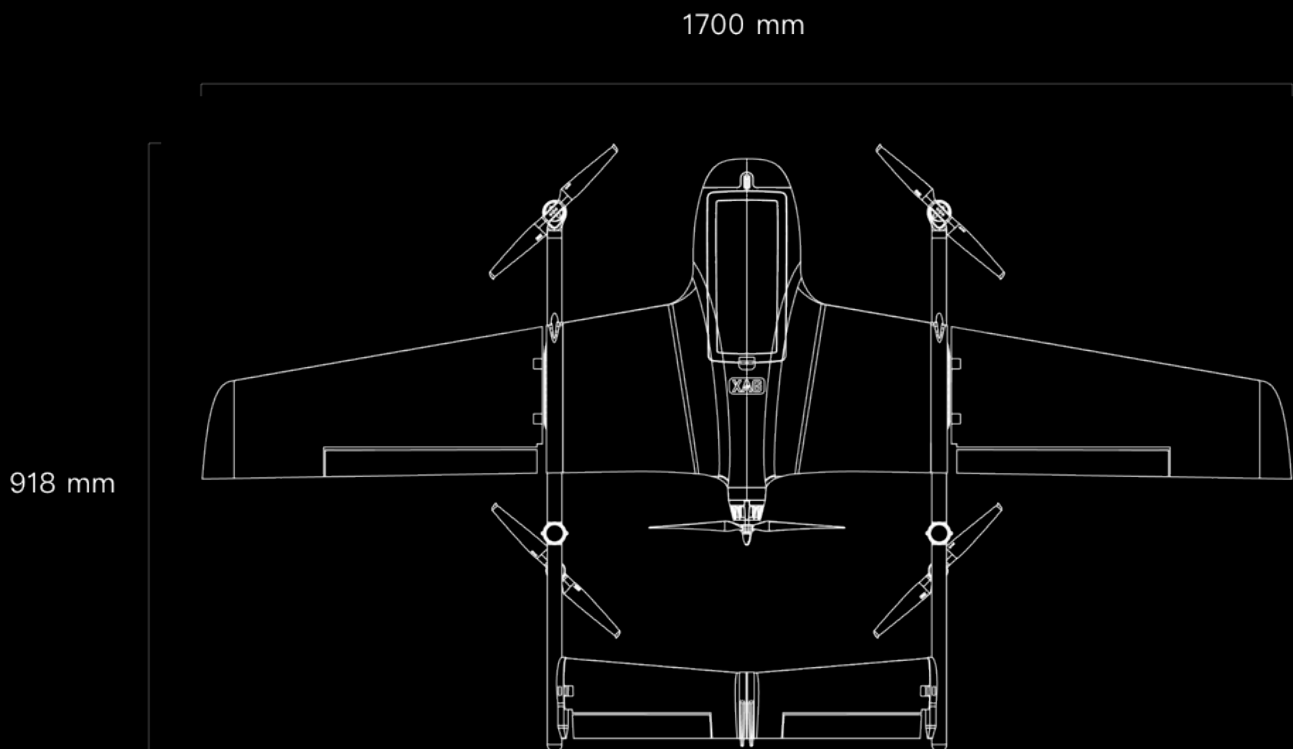


XAG M2000 Agricultural Drone Specs



Aircraft

Max Ascent Velocity

≤5 m/s (Fixed Wing)

≤3 m/s (Multi-rotor)

Max Descent Velocity

3.5 m/s (Fixed Wing)

2 m/s (Multi-rotor)

Cruise speed (Typical)

15 m/s

Max Horizontal Speed

22 m/s

Max Takeoff Altitude

6000 m

Max Wind Speed Resistance

8 m/s

Flight Duration

90 Minutes

(Without carrying any payload)

Actual flight duration subjected to
operation conditions

Maximum Takeoff Weight

3500 g

Maximum Cruising Height

400 m

Hovering Accuracy

N/A

Operating Frequency

2.400 GHz to 2.483 GHz

5.725 GHz to 5.850 GHz

Operating Temperature

-10 ~ 40°C

Sensing System

Downward Radar

Ranging Distance: ≤ 300 m

Obstacle Avoidance Radar

N/A

Binocular Vision

N/A

GNSS

Sensitive Single-frequency GNSS

GPS+BeiDou+Galileo (Asia)

GPS+GLONASS+Galileo (Other Regions)

Multi-frequency and Multi-system

High Precision RTK GNSS

Frequency

GPS: L1/L2; GLONASS: L1/L2; BeiDou: B1/B2;

Galileo: E1/E5b

Cold Start Period

< 50 s

Positioning Accuracy

Vertical: 1.5 cm + 1 ppm (RMS)

Horizontal: 1 cm + 1 ppm (RMS)

1 ppm means error increases by 1 mm
as the aircraft moves every 1 km

Data Transmission

Distance of Data Transmission

5 km

Distance of Video Transmission

3 km

Camera

XAG XCam 20MP Pro Gimbal Camera

Image Sensor

1 inch CMOS Sensor

2.4 μm pixel size

Lens

Focal Length 10.6 mm (Equivalent 28.6 mm)

ISO Range

100 - 3200

Shutter Speed Range

1/30 - 1/2000 s (Mechanical)

1/30 - 1/4000 s (Electronic)

Image Size

5472 \times 3648(3:2), 4864 \times 3648(4:3)

Mechanical Gimbal

3-Axis

Gimbal Pitch Range

-90° to +20°

Max Controllable Angular Speed

90°/s

Gimbal Angle Accuracy

$\pm 0.05^\circ$

Operating Temperature

0 ~ 40°C

XAG XCam 26MP APS-C Gimbal

Camera

Image Sensor

APS-C

3.76 μm pixel size

Lens

Focal Length: 25 mm (Equivalent 40 mm)

f/5.6

Angle of View: D=59.5°, H=51°, V=38.5°

ISO Range

100 - 3200

Shutter Speed Range

1/30 - 1/2000 s (Mechanical)

1/30 - 1/4000 s (Electronic)

Image Size

6144 × 4096

Operating Temperature

0 ~ 40°C

XAG XCam 20M Multispectral Gimbal

Camera

Image Sensor

1 inch CMOS Sensor

2.4 μm pixel size

Lens

Focal Length 10.2 mm (Equivalent 27.5 mm)

ISO Range

100 - 3200

Shutter Speed Range

1/30 - 1/2000 s (Mechanical)

1/30 - 1/4000 s (Electronic)

RGB Image Size

5472 × 3648(3:2)

Multi-spectral Sensors

1/4 inch, 3 μm pixel size

1/30 - 1/4000 s (Electronic)

Wavelengths

Green: 550 ± 15 nm

Red: 660 ± 15 nm

REG: 735 ± 10 nm

NIR: 790 ± 15 nm

Multi-spectral Image Size

1280 × 720

Operating Temperature

0 ~ 40°C

XAG XCam 20H Hybrid Gimbal

Camera

Image Sensor

1 inch CMOS Sensor

2.4 μm pixel size

Lens

Focal Length: 10.2 mm (Equivalent 27.5 mm)

f/2.8 - f/11

Angle of View: D=154°, H=90°, V=64°

ISO Range

100 - 3200

Shutter Speed Range

1/30 - 1/2000 s (Mechanical)

1/30 - 1/4000 s (Electronic)

RGB Image Size

5472 × 3648(3:2)

IR Sensor Type

Vanadium Oxide Infrared Sensor

IR Lens

Focal Length 9.1 mm

f/1.2

Angle of View: H=48°, V=38°

IR Wavelength Range

8~14 μm

IR Image Type

Monochrome/Pseudo Color

Temperature Measure Range

-20 ~ 150°C/0 ~ 550°C

Temperature Measure Accuracy

± 3°C

Operating Temperature

0 ~ 40°C

FPV Camera

Image Sensor

1/2.9 inch CMOS Sensor

2.8 μm pixel size

Lens

Focal Length: 4.79 mm

f/2.8

Angle of View: D=144.8°, H=116°, V=60°

Video Resolution

1080P/720P

XAG SRC1 Smart

Remote Controller

Display Screen

5.5 inch (1920 × 1080)

Max Signal Range (No Interference/Obstruction)

Video Transmission: 3 km

Data Transmission: 5 km

Battery Life

In use: 4~8 hours

On standby: 15 hours

Battery life may vary depending on usage and settings.

B6180 Smart Battery

Capacity

184 Wh

Battery Type

Lithium Polymer Battery

Operating Temperature

10°C ~ 40°C

Smart Charger

Input Voltage

AC 100-240V~ 50/60Hz

Output Voltage

26 V

Rated Power

312 W (Max)

200 W (Typical)