

XAG

XAG R150 2022

Unmanned Ground Vehicle

ADVANCING AGRICULTURE

XAG R150 2022

Unmanned Ground Vehicle

Your Efficient and
Reliable Partner



XAG R150 2022

Unmanned Ground Vehicle

Autonomous Operation

SuperX 4 Pro Intelligent Control System

Multi-functional Design

Mowing, Plant Protection, Transport



XAG R150 2022

Unmanned Ground Vehicle

Safe and Reliable

Stereo Vision

Easy to Use

Two-handed Remote Controller,
One Tap to Operate on App

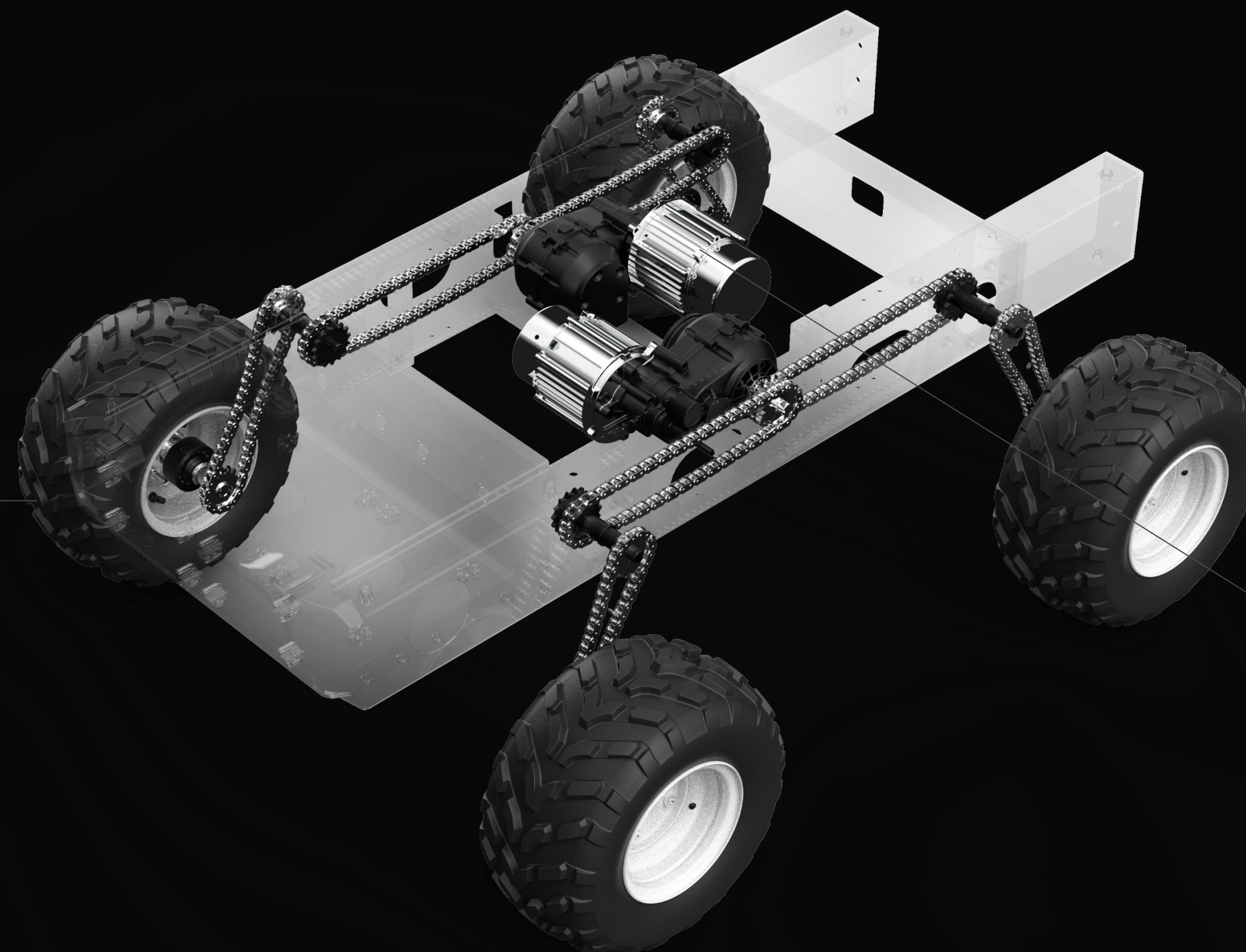
Precision Driving

RTK Centimeter-level Positioning

Strong Power

High-performance brushless motor, producing strong power

15°
Max Climbing Slope



1.2 m/s
Max Speed

Suitable for Multiple Terrains

Easy to Replace Wheels



1 m

Minimum Turning Diameter

58° / 60°

Approach Angle/Departure Angle

Suitable for Multiple Terrains

Easy to Replace Wheels



Intelligent Perception

Stereo Vision

Centimeter-level Positioning

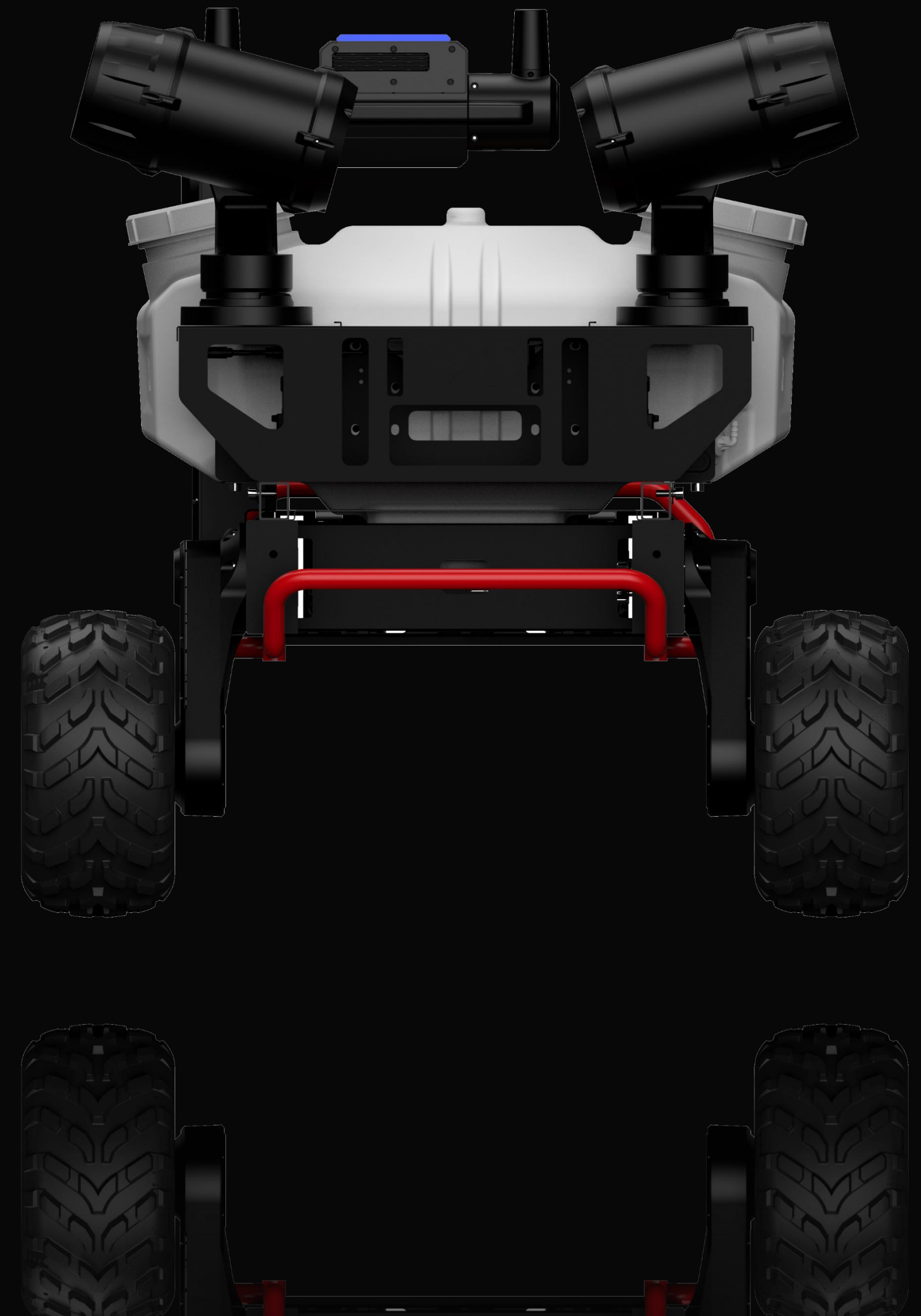
Dual-antenna RTK + Fixed/Portable Station Access

Strong Algorithm, Fast Response

1 GHz Independent Processor

Work Properly in Poor Network Condition

Dual-link Communication



I know how to run safely

Stereo vision sees front obstacles accurately and automatically identify driving routes.



Headlamp

Facilitate Night Operations



Stereo Vision

- Automatically Identify Routes, Provide Precision Operation
- Focus on and Intelligently Follow the Object



Electric Version

Pure Electric Drive, Equipped with
2 Smart Batteries

Powerful, Cost-Saving, Effortless

GC4000+ Auto SuperCharge Station



Up to 1000 hours

Longer service life

Max. 25 batteries

can be fully charged with a 15L full tank of petrol

B13960S Smart Battery



960 Wh capacity

12% larger than its predecessor

15 minutes

Fully charged with water cooled
charging tank at a 5C rate

150 L

Rated Capacity Liquid Tank

12 m

Max. Spray Width

Dual Gimbal Design

Omni-directional Spraying

Smart Airflow Atomization

60-200 μ m Adjustable Droplet Size

Digital Operation

Traceable Operation Data

90 cm

Maximum Mowing Cutting Width

Alloy Steel Dual Blades

Omni-directional Spraying

Smart Variable-Speed Mowing

Maximize Working Efficiency



Manual Lawn Mower

- Inefficient
- Big dust
- Operation injuries

- ✓ Efficient
- ✓ Automatic
- ✓ Safe

- Compatible with Android and iOS
- Accurately Conduct Multiple Operations
- One Tap to Operate on App, Smart Route Planning
- Dual-link Design, Stable Communication in Poor Network Condition



XAG One App

XAG Agricultural Remote Controller 3



- Optional ARC3 - RTK Module
- Large Capacity, Long Battery Life Up to 5-6 Hours
- Accurately Conduct Multiple Operations

XAG

Thanks

ADVANCING AGRICULTURE